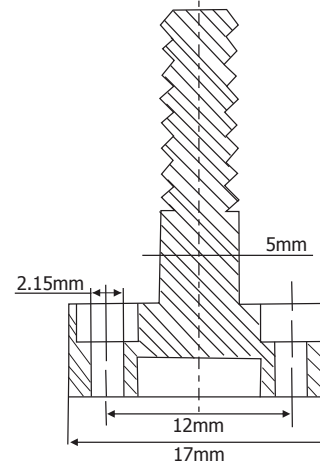
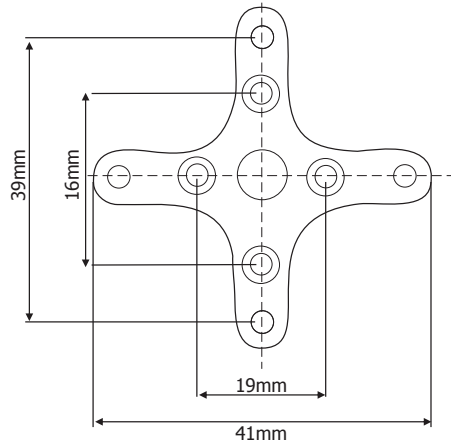


Ripmax Quantum II - 400 Brushless Motor



Included Accessories

- (1x) Cross Shape Mount
- (1x) Propeller Driver Assembly with Domed Nut
- (4x) M3 Countersunk Screws (Mount Fixing)
- (4x) M2 x 8mm Cap Head Screws (Prop Driver Fixing)

Recommended Propellers

The following propellers are suitable for this motor 9x7.5 (4S) or 10x7" (3S) Electric APC