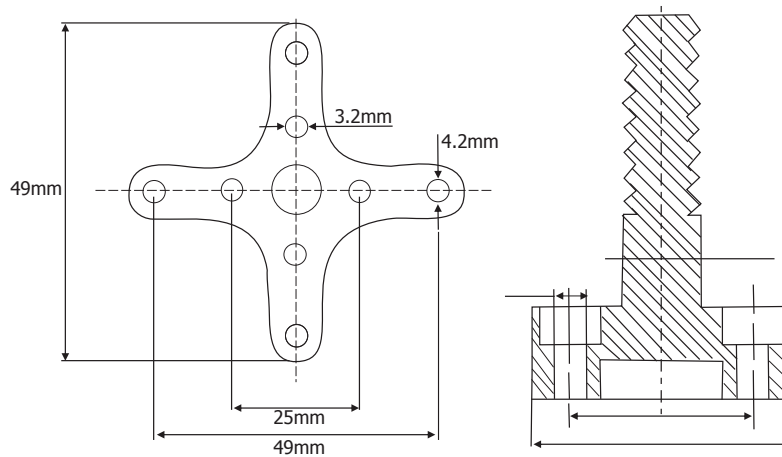


# Ripmax Quantum II - 40 Brushless Motor



## Included Accessories

- |                                   |  |
|-----------------------------------|--|
| (1x) Cross Shape Mount            | (4x) M3 x 16mm Cap Screws (Prop Driver Fixing)     |
| (1x) 8mm Stopper with Grub Screws | (4x) M4 x 8mm Countersunk Screws (Mount Fixing)    |
| (1x) Propeller Driver Assembly    | (4x) M4 x 16mm Countersunk Screws (Mount to Model) |
| (1x) Domed Spinner Lock Nut       | (4x) M4 Nylock Flange Nut (Mount to Model)         |

## Recommended Propellers

The following propellers are suitable for this motor 12x8, 12x9, 13x6, 14x7, 15x6