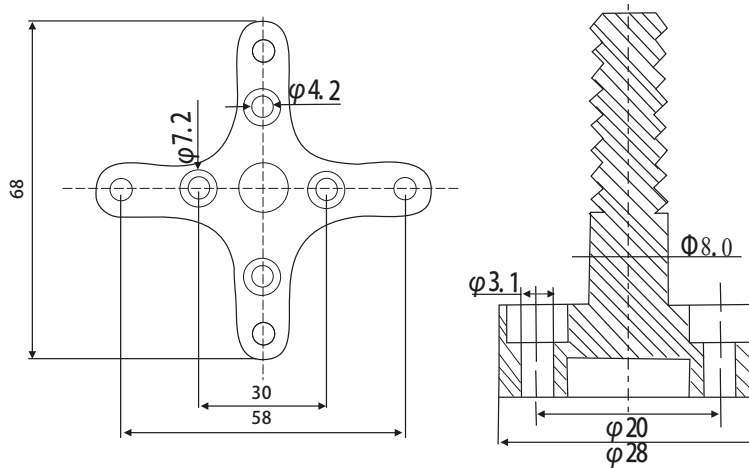


Ripmax Quantum II - 55 Brushless Motor



Included Accessories

- | | |
|-----------------------------------|--|
| (1x) Cross Shape Mount | (4x) M3 x 16mm Cap Screws (Prop Driver Fixing) |
| (1x) 8mm Stopper with Grub Screws | (4x) M4 x 8mm Countersunk Screws (Mount Fixing) |
| (1x) Propeller Driver Assembly | (4x) M4 x 16mm Countersunk Screws (Mount to Model) |
| (1x) Domed Spinner Lock Nut | (4x) M4 Nylock Flange Nut (Mount to Model) |

Recommended Propellers

The following propellers are suitable for this motor 12x8, 12x9, 13x6, 14x7, 15x6