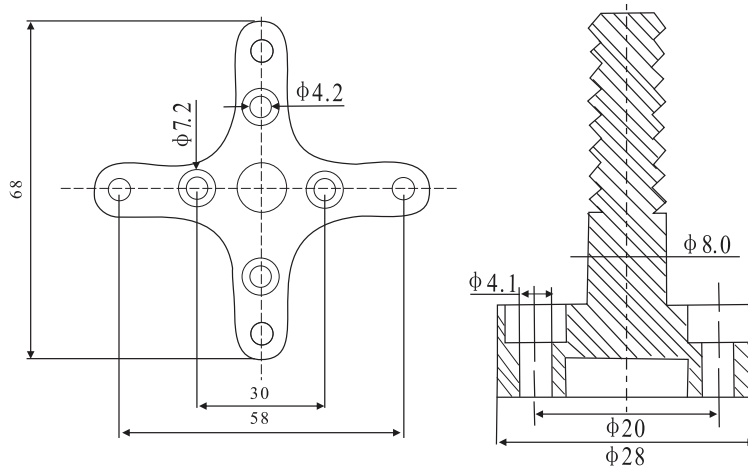


Ripmax Quantum II - 61 Brushless Motor



Specifications

KV:	410
Li-Po:	3S - 8S
ESC:	80A
Length:	65mm*
Diameter:	50mm
Connectors:	4mm
Shaft Dia:	8mm
Prop Thread:	M8
Weight:	420g



*Bulkhead to Prop Driver Face

Included Accessories

- | | |
|-----------------------------------|--|
| (1x) Cross Shape Mount | (4x) M4 x 16mm Cap Screws (Prop Driver Fixing) |
| (1x) 8mm Stopper with Grub Screws | (4x) M4 x 8mm Countersunk Screws (Mount Fixing) |
| (1x) Propeller Driver Assembly | (4x) M4 x 16mm Countersunk Screws (Mount to Model) |
| (1x) Domed Spinner Lock Nut | (4x) M4 Nylock Flange Nut (Mount to Model) |

Recommended Propellers

The following propellers are suitable for this motor 12x10E, 13x10E, 14x7E, 15x6